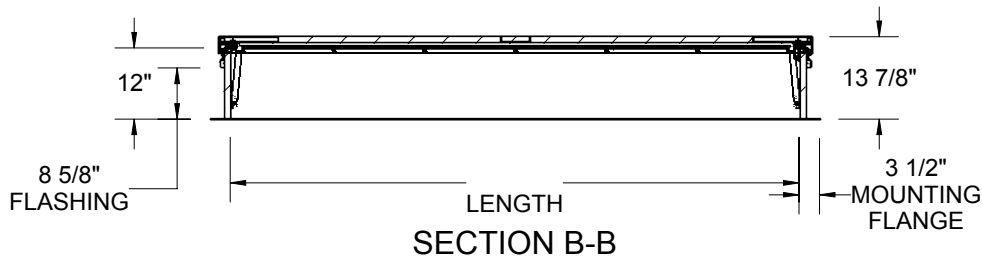
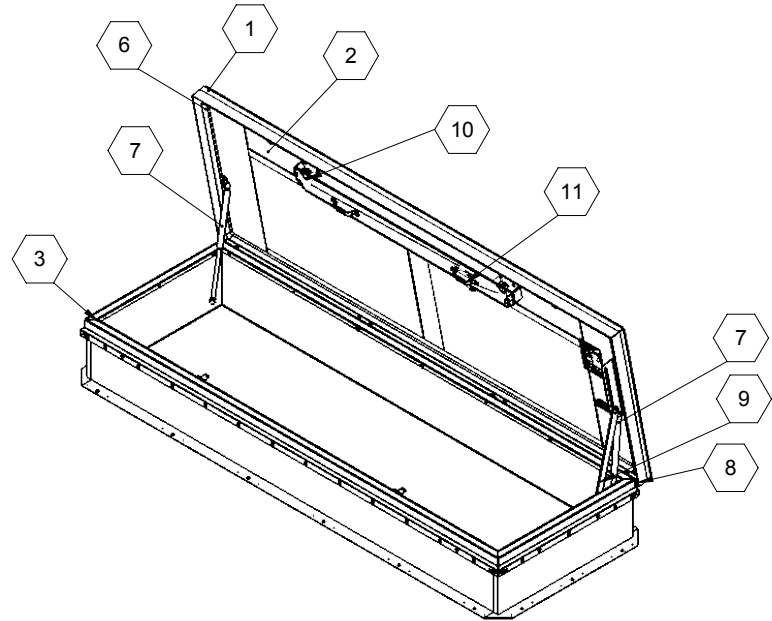


SECTION A-A



SECTION B-B



MIAMI DADE ACCEPTANCE NO: 21-1201.01
 EXPIRATION DATE: 5/25/2027

TEST CERTIFICATIONS:
 TAS201-94 IMPACT TEST - CLASS IV
 TAS202-94 UNIFORM STATIC AIR PRESSURE
 TAS203-94 CYCLE WIND PRESSURE LOAD

SPECIFICATIONS:

- ① **COVER:**
11 GA (.090) ALUM, STIFFENED TO WITHSTAND A LIVE LOAD OF 40PSF WITH A MAX DEFLECTION OF 1/150 OF THE SPAN.
- ② **LINER:** 18 GA (.040) ALUM
- ③ **CURB:** 11 GA (.090) ALUM, CURB COUNTERFLASH WITH EZ TABS.
- ④ **FINISH:** MILL
- ⑤ **INSULATION:** 1" POLYISO R-6 (5.6 LTTR) IN CURB,
1" POLYSTYRENE R-4 (3.8 LTTR) IN COVER.
- ⑥ **GASKET:**
EXTRUDED EPDM RUBBER ADHESIVE BACKED GASKET SEAL CONTINUOUS AROUND COVER.
- ⑦ **SPRING:**
GAS SPRING WITH DAMPER FOR SMOOTH, CONTROLLED, COUNTERBALANCED LIFT ASSISTANCE.
- ⑧ **HINGE:** PINTLE HINGE WITH STAINLESS STEEL HINGE PINS.
- ⑨ **HOLD OPEN ARM:**
ZINC PLATED STEEL AUTOMATIC HOLD OPEN ARM LOCKS COVER IN FULLY OPEN POSITION WITH RED GRIP HANDLE PULL RELEASE.

⑩ **LATCH:**

ZINC PLATED STEEL SLAM LATCH, HOLDS COVERS CLOSED AGAINST WIND UPLIFT, INTERIOR AND EXTERIOR HANDLES WITH PADLOCK HASPS.

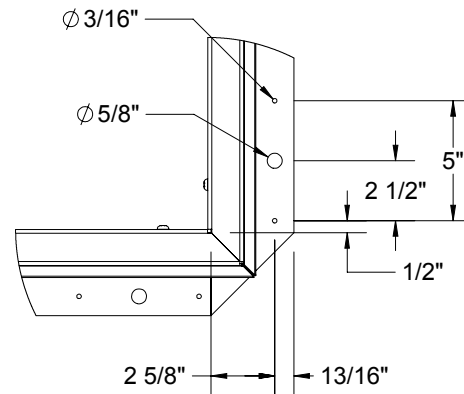
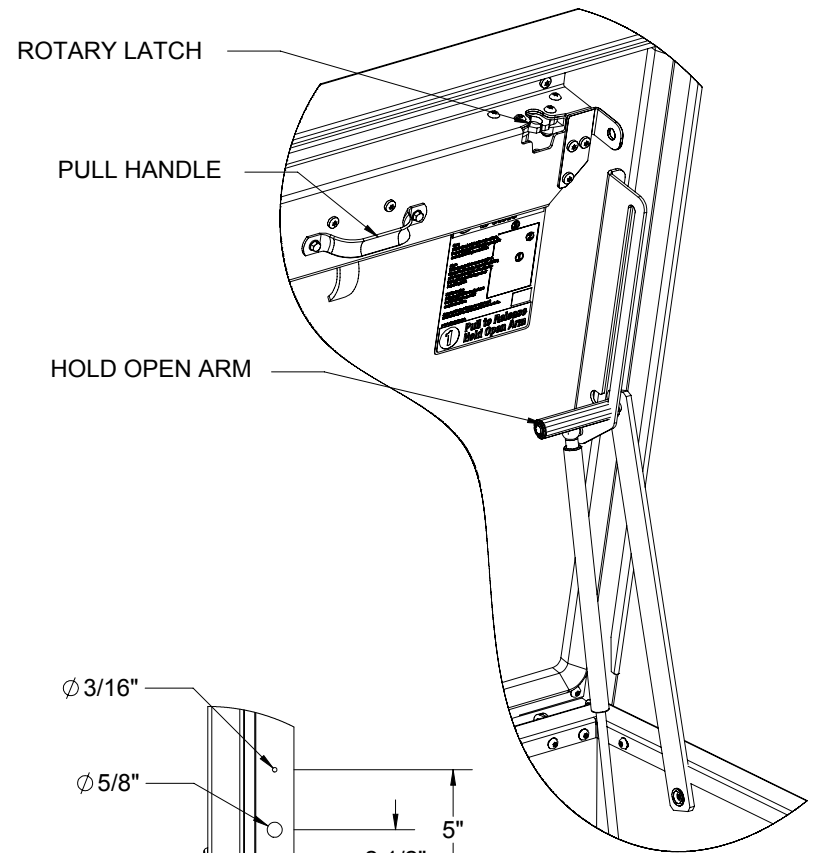
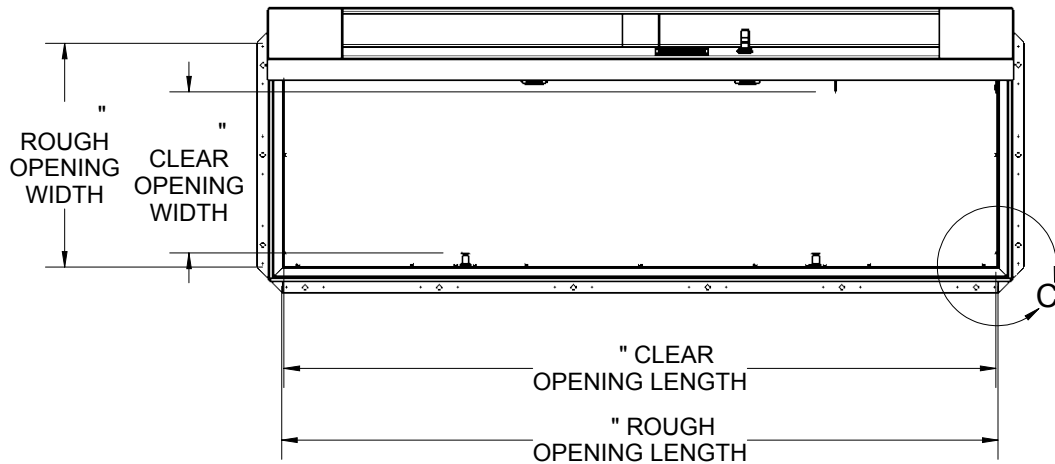
⑪ **PULL HANDLE:** INTERIOR PULL DOWN HANDLE

NOTES:

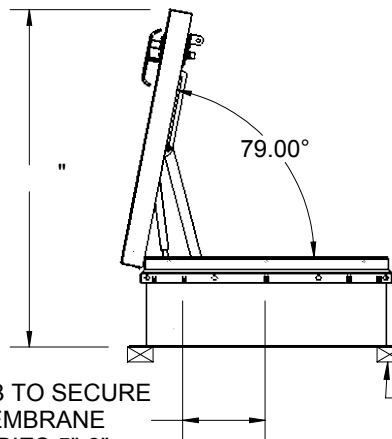
- WHEN INSTALLING ON A PITCHED ROOF UP TO 7:12, THE HINGE SIDE(LENGTH)MUST BE PARALLEL TO THE SLOPE.
- WIDTH X LENGTH DIMENSIONS ARE MEASURED INSIDE CURB TO INSIDE CURB. THE WIDTH IS HINGE TO LATCH AND LENGTH IS HINGED SIDE.

PROPRIETARY AND CONFIDENTIAL: THE INFORMATION CONTAINED IN THIS DRAWING IS THE SOLE PROPERTY OF NYSTROM. ANY REPRODUCTION IN PART OR AS A WHOLE WITHOUT THE WRITTEN PERMISSION OF BABCOCK-DAVIS IS PROHIBITED. ©2020 NYSTROM

| | | | |
|---|----------|--|----------------|
| PROJECT: | | | |
| ARCHITECT: | | | |
| CONTRACTOR: | | | |
| QTY: | | | |
| PART#: | | | |
| 9300 73rd Avenue North Minneapolis, MN 55428 | | TITLE: | |
| | | Roof Hatch, Personnel S Dr, Zinc Hdw, Alum, Mill, Sngl Wall Curb | |
| NAME | DATE | SIZE | DWG. NO. |
| DRAWN DWO | 12/17/21 | A | A_X_-2PT ShpDr |
| RELEASED DWO | 12/17/21 | WEIGHT: Varies | |
| | | | REV A |
| | | | SHEET 1 OF 2 |



DETAIL C
SCALE 1 : 8



WOOD, CONCRETE, OTHER MATERIAL FOR MOUNTING BY OTHERS (NIC)



9300 73rd Avenue North
Minneapolis, MN 55428

TITLE: Roof Hatch, Personnel
S Dr, Zinc Hdw,
Alum, Mill, Sngl Wall Curb

| | | | | |
|--------------|----------|----------------|----------------|--------------|
| NAME | DATE | SIZE | DWG. NO. | REV |
| DRAWN DWO | 12/17/21 | A | A_X_-2PT ShpDr | A |
| RELEASED DWO | 12/17/21 | WEIGHT: Varies | | SHEET 2 OF 2 |